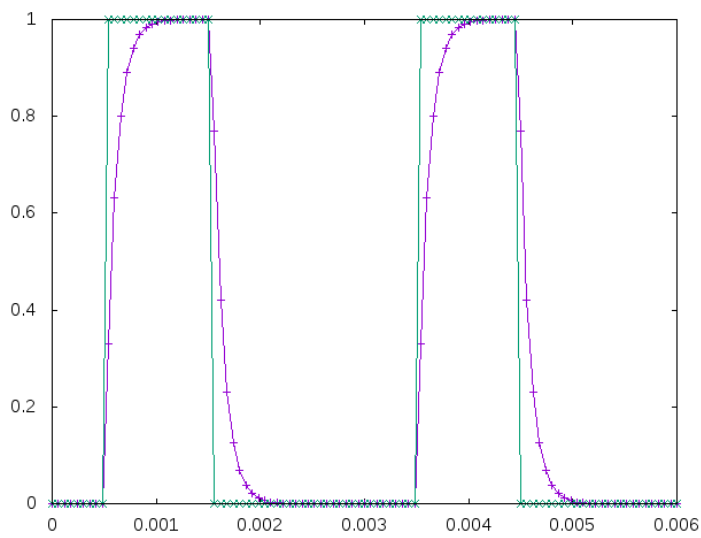
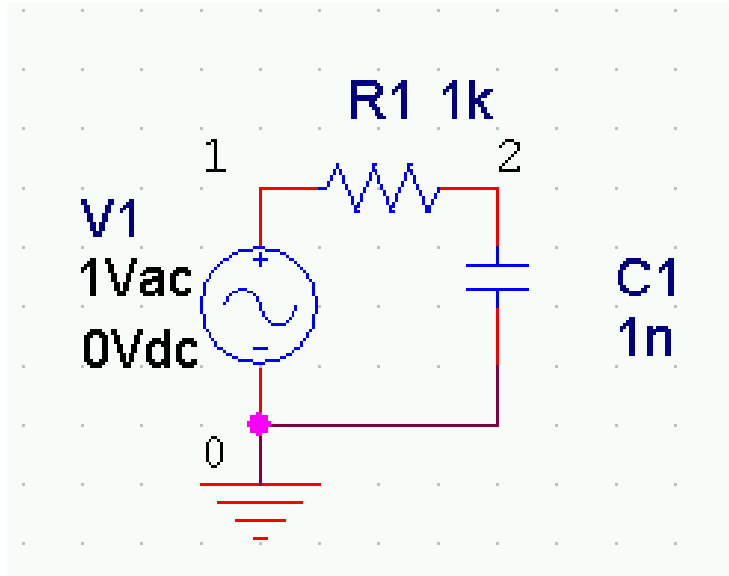


Filter-RC-STEP



```
* RC Integrator Transient Responce
V1 1 0 pulse(0V 1V .5ms 0 0 1ms 3ms)
R1 1 2 1k
C1 0 2 .1u
.PLOT TRAN v(2) v(1)
.TRAN .06m 6m 0 3m
.END
```

¹<http://spice-online.blogspot.com/search/label/Filter-RC-STEP>