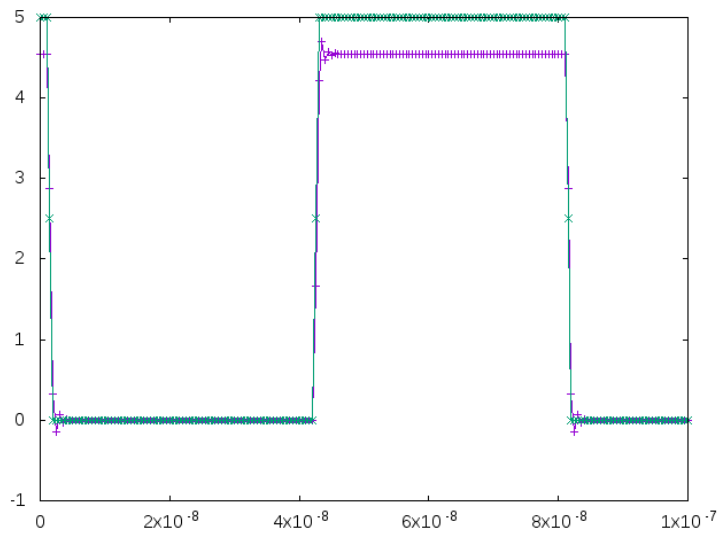
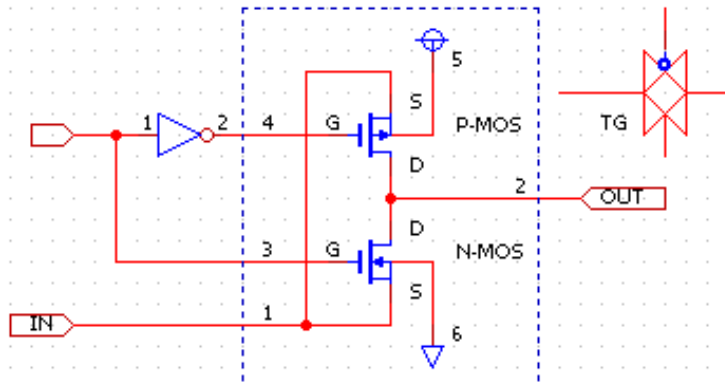


CMOS-TransmissionGate



```

*CMOS Transmission Gate
VCC 5 0 5V
VI1 1 0 0V pulse ( 5 0 1ns 1ns 1ns 40ns 80ns)
R1 2 0 100k
XTG1 1 2 5 0 5 0 TG
.SUBCKT TG 1 2 3 4 5 6
M1 2 4 1 5 PMOS1
M2 2 3 1 6 NMOS1
C1 2 6 0.01p
.ENDS
.MODEL NMOS1 NMOS
.MODEL PMOS1 PMOS
.OP
.PLOT TRAN v(2) v(1)
.TRAN 0.5ns 100ns
.END

```

•
1

¹<http://spice-online.blogspot.com/search/label/CMOS-TransmissionGate>