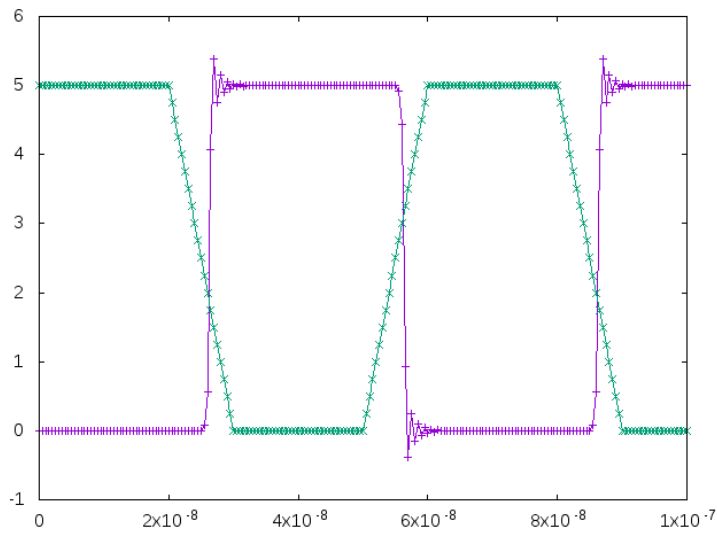
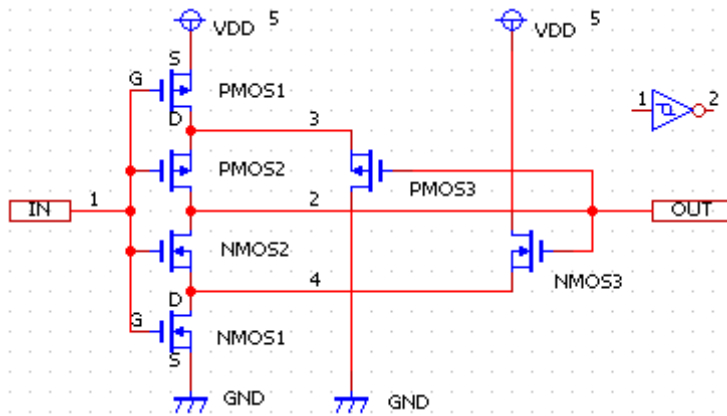


CMOS-SchmittTrigger



```

* CMOS Schmitt Trigger
M1 3 1 5 5 PMOS1
M2 2 1 3 3 PMOS1
M3 4 1 0 0 NMOS1
M4 2 1 4 4 NMOS1
M5 0 2 3 3 PMOS1
M6 5 2 4 4 NMOS1
C1 2 0 0.002p
VCC 5 0 5V
VIN 1 0 0V pulse ( 5 0 20ns 10ns 10ns 20ns 60ns)
.MODEL NMOS1 NMOS
.MODEL PMOS1 PMOS
.OP
.PLOT TRAN v(2) v(1)
.TRAN 0.5ns 100ns
    
```

.END

.

1

¹<http://spice-online.blogspot.com/search/label/CMOS-SchmittTrigger>