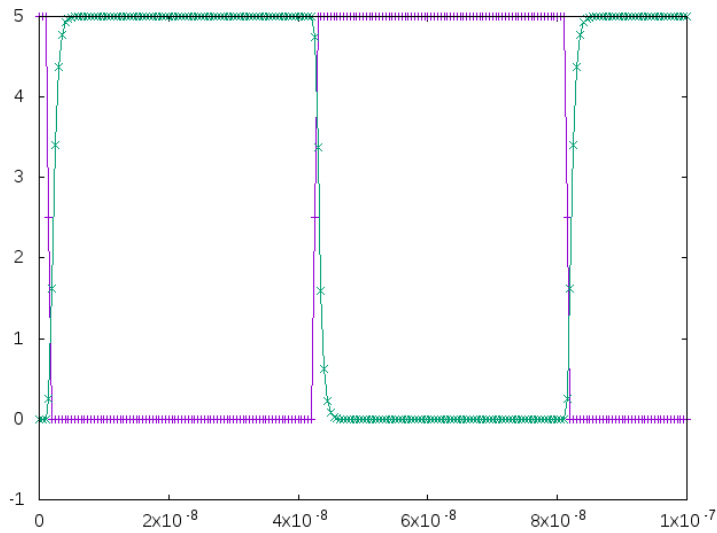
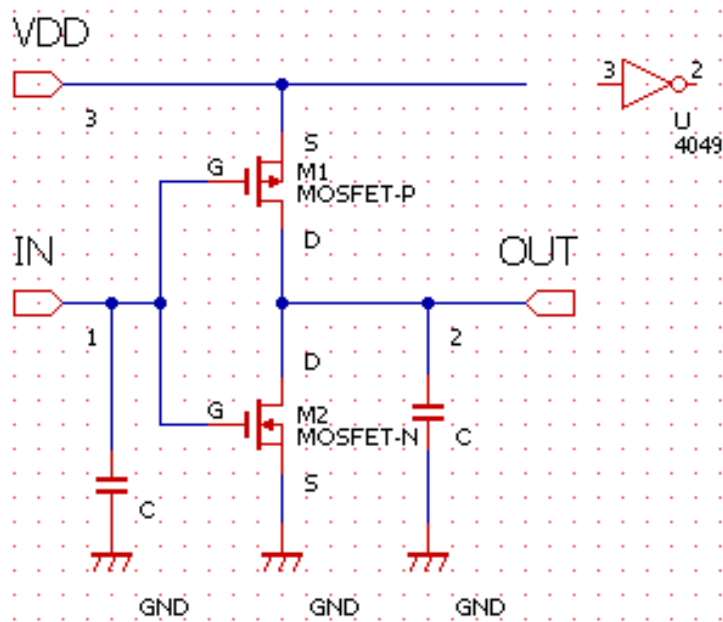


CMOS-Inverter



```

* CMOS Inverter
M1 2 1 3 3 PMOS1
M2 2 1 0 0 NMOS1
C1 2 0 0.05p
VCC 3 0 5V
VIN 1 0 0V pulse ( 5 0 1ns 1ns 1ns 40ns 80ns)
.MODEL NMOS1 NMOS
.MODEL PMOS1 PMOS
    
```

```
.OP  
.PLOT TRAN v(1) v(2)  
.TRAN 0.5ns 100ns  
.END  
.  
1
```

¹<http://spice-online.blogspot.com/search/label/CMOS-Inverter>