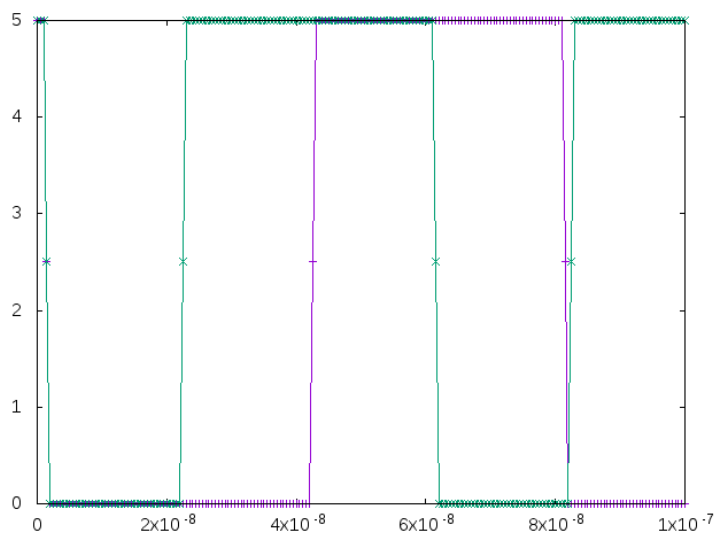
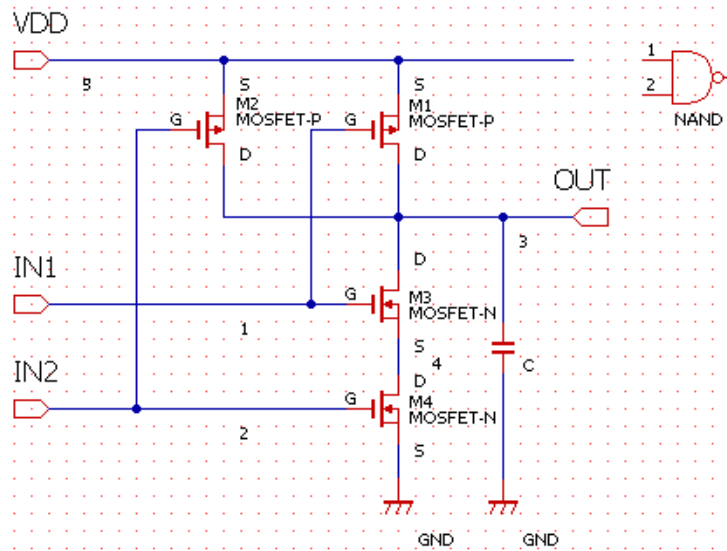


CMOS-NAND



* CMOS NAND

M1 3 1 5 5 PMOS1

M2 3 2 5 5 PMOS1

M3 3 1 4 4 NMOS1

M4 4 2 0 0 NMOS1

C1 3 0 0.05p

VCC 5 0 5V

VIN1 1 0 0V pulse (5 0 1ns 1ns 1ns 40ns 80ns)

VIN2 2 0 0V pulse (5 0 1ns 1ns 1ns 20ns 60ns)

.MODEL NMOS1 NMOS

.MODEL PMOS1 PMOS

```
.OP  
.PLOT TRAN v(1) v(2) v(3)  
.TRAN 0.5ns 100ns  
.END  
.  
1
```

¹<http://spice-online.blogspot.com/search/label/CMOS-NAND>